

Some things  
just keep getting better.

ACQ  
Compatible!



## Introducing YorkShield 106 PT™ Flashing

Made especially  
for pressure-treated  
deck construction



**YORK**  
Since 1935

TM

## Everlam™ Technology puts YorkShield 106 PT\* in a class by itself

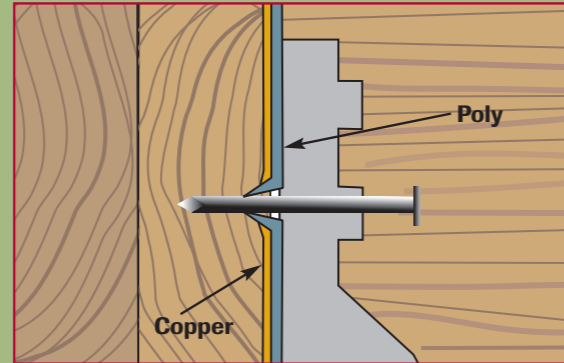
At York Manufacturing, we're dedicated to making our products better all the time. Take our newest flashing: YorkShield 106 PT\* with Everlam™ Technology. It's designed to help you address one of the most vexing challenges of flashing between pressure-treated lumber and galvanized joist hangers and fasteners — namely, the unsightly (and potentially structurally compromising) corrosion due to galvanic reactions.

By replacing standard paper backing with a new polypropylene backing on our popular copper flashing, YorkShield 106 PT\* tackles this problem neatly — isolating galvanized joist hangers and fasteners from the ACQ-treated wood, and ultimately making any pressure-treated deck look better and last longer. And only York Manufacturing offers it.

- Compatible with ACQ pressure-treated wood
- Everlam™ Technology isolates galvanized parts and protects from corrosion
- Two layers of self-sealing protection
- Non-asphalt, 100% waterproof adhesive will not stain
- Lightweight, flexible and easy to work with
- Resists temperatures up to 275°F without separation
- UV protection for life
- Use for decks, sills or windows

**New and improved... at the same great price!**

### Protection from corrosion on both sides of the flashing



*When fasteners are pounded through the flashing, the polypropylene backing is pulled along with the fasteners to create a self-sealing barrier.*

*When paper-backed flashing gets wet, the paper degrades, causing copper and galvanized hangers to come in contact and cause corrosion.*



*The new polypropylene backing in YorkShield 106 PT\* effectively isolates galvanized joist hangers and fasteners from the copper and ACQ pressure-treated lumber.*

### Get the non-asphalt advantage: no more stains.

YorkShield 106 PT\* has all the protective qualities you want in copper flashing, without the disadvantages of asphalt adhesives. It can resist temperatures up to 275°F without separation, so it won't stain concrete, vinyl or wood.



*Asphalt-based products can start to soften at just 78°F, causing separation and staining to vinyl, concrete or wood. YorkShield 106 PT\* will not separate even in extremely high temperatures — meaning reliable protection and a deck that looks beautiful for years.*



### ACQ compatibility with a new feature: galvanized hardware protection

Our copper flashings raised the bar for flashing by tackling the ACQ pressure-treated wood/aluminum flashing incompatibility issue. Now, in response to the needs of builders and homeowners for an even better solution, there's YorkShield 106 PT\*.

Pressure-treated lumber with ACQ still calls for the use of copper flashing. But when typical paper-backed flashing products get wet, electrolysis and galvanic reactions occur. So we've replaced the paper backing with a durable polypropylene barrier that separates hangers and fasteners from harmful reactions, protecting decks for years.

### No other flashing offers all the benefits of YorkShield 106 PT\*

|                                      | YorkShield 106 PT* | Other flashings |
|--------------------------------------|--------------------|-----------------|
| Galvanic isolation for joist hangers | yes                | no              |
| Self-sealing                         | yes                | no              |
| Non-staining                         | yes                | no              |
| Thermal stability                    | yes                | no              |
| UV protection for life               | yes                | no              |

# Comparative test data: YorkShield 106 PT\* vs. standard paper-backed flashing

| Test Category                     | Test Method | Creped Kraft Paper-backed Flashing | YorkShield 106 PT* | Performance Enhancement |
|-----------------------------------|-------------|------------------------------------|--------------------|-------------------------|
| <b>Tear Resistance</b>            | ASTM D-903  | 375psi                             | 1250psi            | 233.33%                 |
| <b>Puncture Resistance</b>        | ASTM E-154  | 75 lbs.                            | 150 lbs.           | 100.00%                 |
| <b>Conductive**</b>               |             | Yes                                | No                 | Positive                |
| <b>De-lamination Threshold***</b> |             | 78°F                               | 275°F              | Positive                |
| <b>Elongation</b>                 | ASTM D-412  | 5%                                 | 300%               | 5900.00%                |
| <b>Potential for Staining</b>     |             | High                               | None               | Positive                |

\*\* Conductive materials promote galvanic reaction because they do not perform as an isolation sheet  
 \*\*\* Temperature at which point the reinforced backer de-laminates from the copper flashing

*Designed specifically for pressure-treated decks, YorkShield 106 PT\* is a copper flashing product made with non-asphalt adhesive and a new polypropylene backing.*



## Protect your deck's beauty *and* structural integrity with YorkShield 106 PT\*

YorkShield 106 PT\* is the next evolution of copper flashing, made to address today's building challenges. At York Manufacturing, we're committed to pioneering solutions that make your job easier and the final product the best it can be.

To order YorkShield 106 PT\*, see your nearest YorkShield distributor or call 1-800-551-2828. For additional data, visit [www.yorkmfg.com](http://www.yorkmfg.com).

## Other YorkShield Flashing Solutions:

**YorkShield 106 TS™** — Termite Shield with isolation technology that protects fasteners at the plate level.

**YorkShield 106 HP™** — For doors, windows and roofs, get the beauty of copper in a heavy-duty flashing at an affordable price.



York Manufacturing, Inc. • 43 Community Drive, Sanford, Maine 04073 • Tel: 800-551-2828 • Fax: 888-819-2592  
 email: [info@yorkmfg.com](mailto:info@yorkmfg.com) • [www.yorkmfg.com](http://www.yorkmfg.com)

\* Patent Pending