



AirSill™

Flashing Receiver & Clip

Key Properties

- Provides a method of attaching fenestration perimeter flashing (e.g. sill, jamb, and head) without interrupting critical fenestration perimeter seals to the air barrier
- A two-piece system consisting of a receiver and a clip
- Allows damaged flashing to be removed without interfering with the fenestration assembly
- Easily integrated with the air barrier assembly and is ideal for fenestration collar flashing applications
- Eliminates the need for difficult collar flashing brake metal corner splices
- Compatible with:
 - Roofing membranes
 - Waterproofing membranes
 - Weather resistive barriers and air barriers
 - Construction sealants
 - Spray polyurethane foam
 - Cavity wall insulations
 - York Flashing products

Description

York AirSill™ aluminum flashing receivers provide an alternative to traditional installation methods for flashing attachment at wall openings. Typically flashing is secured with mechanical fasteners such as nails or screws to the return surfaces of the rough opening framing. Fenestration assemblies (e.g. windows, doors, storefront, window walls, curtain wall glazing, louvers, etc.) typically conceal the return surfaces of the rough opening framing once installed, prohibiting access to the mechanical fasteners and the flashing mounting surface. The flashing is installed before installing the fenestration assembly, which has an impact on construction sequencing, trade coordination, and schedule. Note: replacing flashing would require the fenestration assembly to be removed. Often the flashing at wall openings is included in the cladding subcontractor's scope of services, which tends to force the cladding to be installed before fenestration assemblies, delaying “dry-in” of the building enclosure and interior finish work. Further, the typical traditional method of flashing interrupts critical fenestration seals with the building’s air barrier, allowing a potential path for air leakage and water penetration into the building.

Available in:

Type A: 3', 4', 6', 8', 9', and 12' sections

Type B: 3', 4', 6', 8', 9', and 12' sections

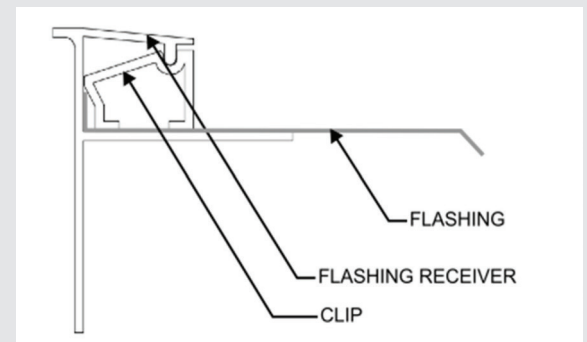
Type D: 3', 4', 6', 8', 9', and 12' sections

Benefits

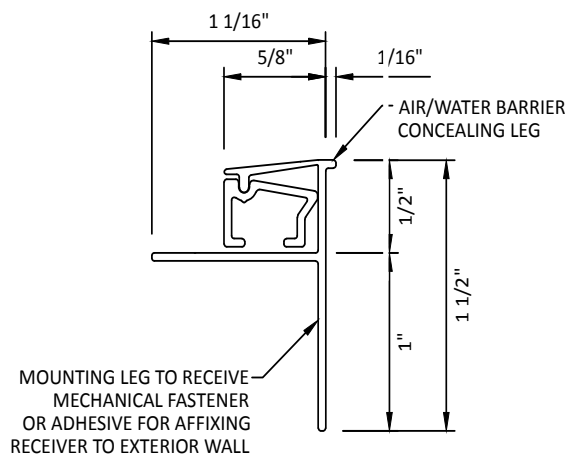
- Provides alternative method for attaching flashing that does not interrupt critical seals to the air barrier
- Eliminates need for fasteners into sill condition where more prone to water penetration
- Flashing secured to vertical wall (vs. opening) so that fenestration can be installed before or after exterior cladding
- Creates flexibility in construction sequencing
- Installation method allows for quicker “dry-in” of building enclosure. Interior materials can be installed simultaneous with exterior cladding
- Removable flashing installation method

Application

- **Step 1:** Secure York AirSill™ receiver at perimeter of wall opening with adhesive and/or fasteners
 - Verify adhesive compatibility with substrate
 - Fully bed AirSill™ receiver in substrate compatible sealant or mastic (recommended)
 - Predrill and seal fasteners (recommended)
- **Step 2:** Place flashing into receiver channel
- **Step 3:** Secure flashing with receiver clip
- See York AirSill™ conceptual details for more information
- Installation instructions are available for more advanced designs (e.g. collar flashing applications)
- Project specific details upon request



Type A

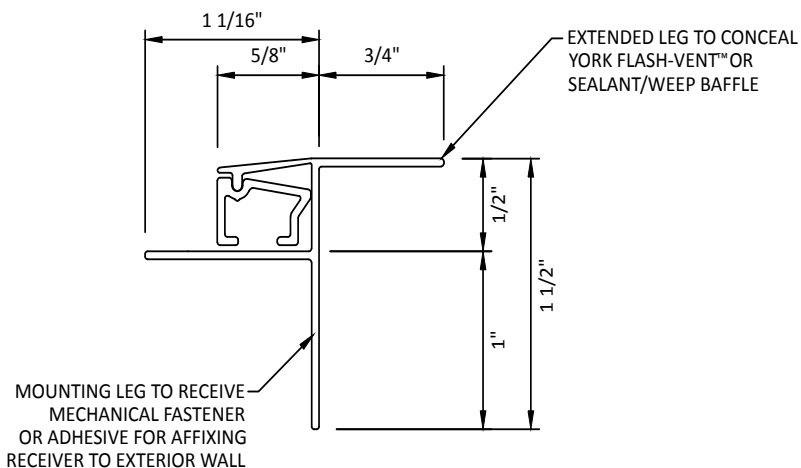


AIRSILL™ TYPE A

*THE AIR/WATER BARRIER CONCEALING LEG FACILITATES DIRECT CONNECTION OF FENESTRATION PERIMETER SEAL AND THE AIR/WATER BARRIER.

*RECOMMENDED FOR SILL, JAMB AND HEAD FENESTRATION OPENING CONDITIONS.

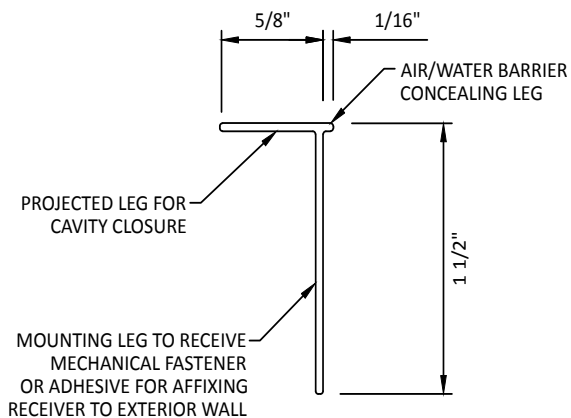
Type B



AIRSILL™ TYPE B

*AIRSILL™ TYPE B IS AN OPTIONAL RECEIVER SHAPE FOR SILL CONDITIONS IN LIEU OF AIRSILL™ TYPE A THAT FACILITATES THE USE OF YORK FLASH-VENT™ OR SEALANT BED WITH WEEP BAFFLES TO ACCOMMODATE MOISTURE DRAINAGE OUT OF THE FENESTRATION OPENING; THE EXTENDED LEG ALSO SERVES TO RECEIVE THE FENESTRATION PERIMETER SEAL.

Type D



AIRSILL™ TYPE D

*AIRSILL™ TYPE D IS IDEAL FOR A CAVITY CLOSURE BETWEEN CLADDING AND BACK-UP WALL THAT FACILITATES DIRECT CONNECTION OF FENESTRATION PERIMETER SEAL AND THE AIR/WATER BARRIER.

*RECOMMENDED FOR SILL, JAMB AND HEAD FENESTRATION OPENING CONDITIONS.

