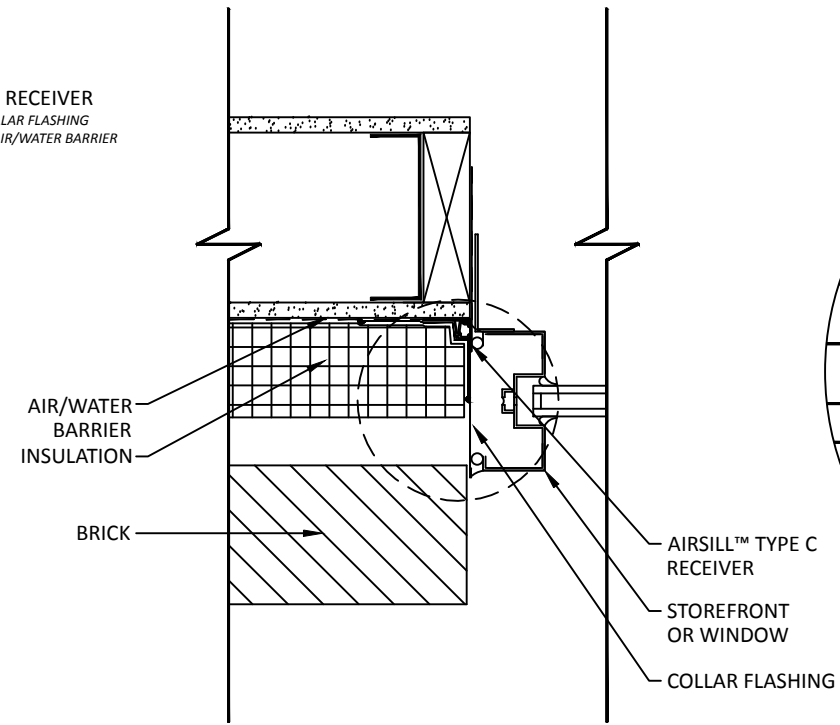
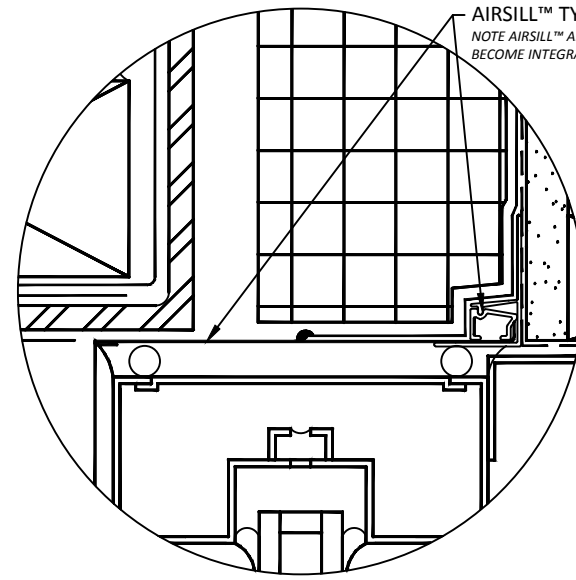
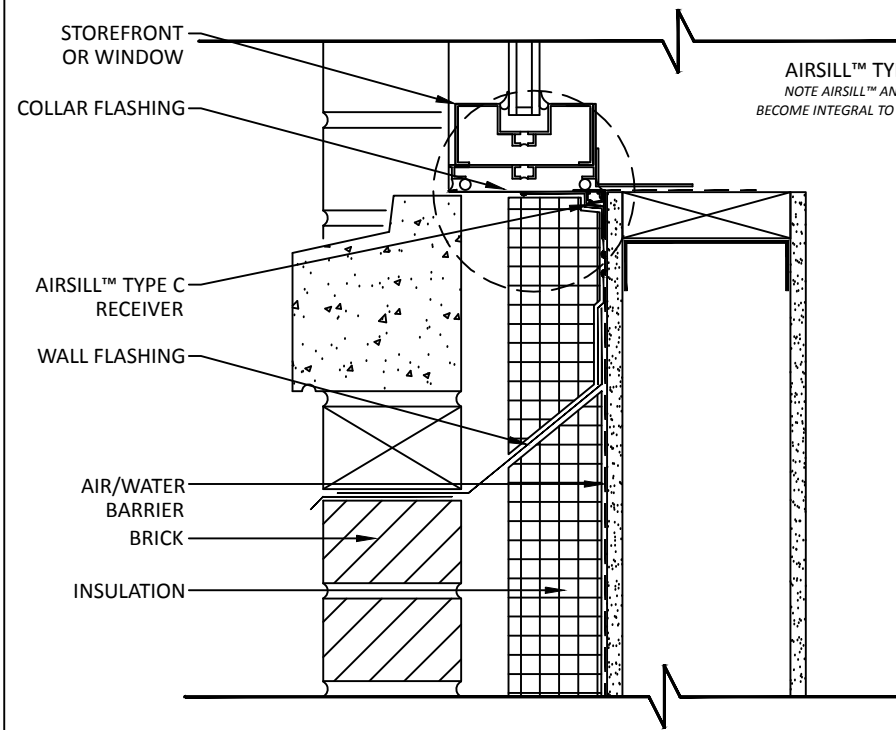
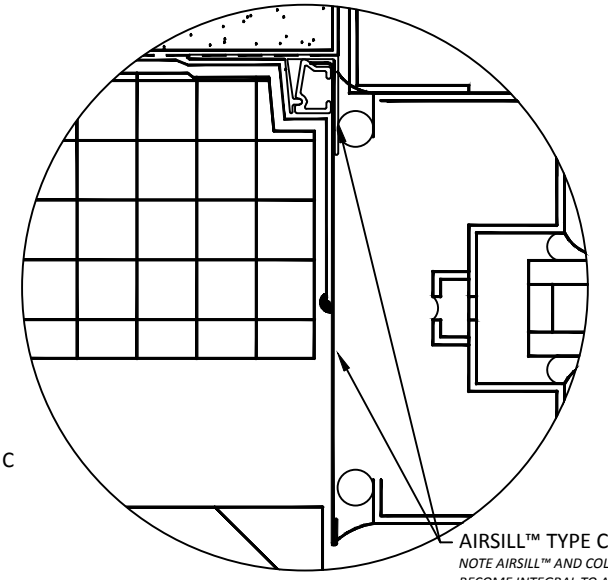


HEAD CONDITION

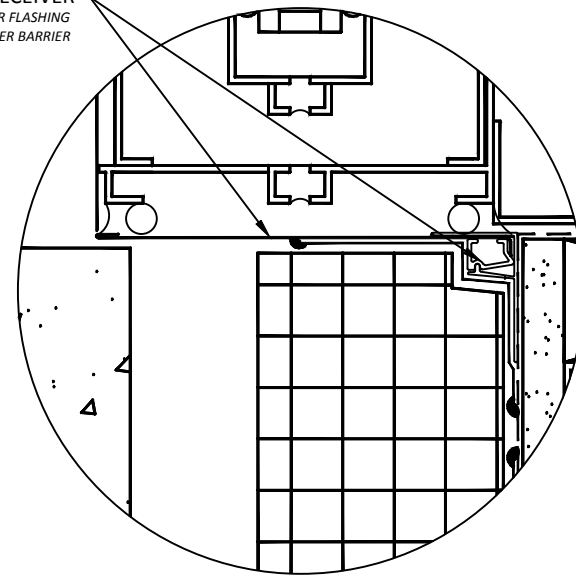


JAMB CONDITION



SILL CONDITION

AIRSILL™ TYPE C RECEIVER
NOTE AIRSILL™ AND COLLAR FLASHING BECOME INTEGRAL TO AIR/WATER BARRIER



AS A MANUFACTURER OF CONSTRUCTION MATERIALS, YORK MANUFACTURING, DOES NOT ASSUME RESPONSIBILITY FOR ERRORS IN DESIGN OR ENGINEERING. ARCHITECT OR OWNERS REPRESENTATIVE MUST VERIFY SUITABILITY OF DETAILS.

BRICK OPTION D

AirSill™ Flashing Receiver