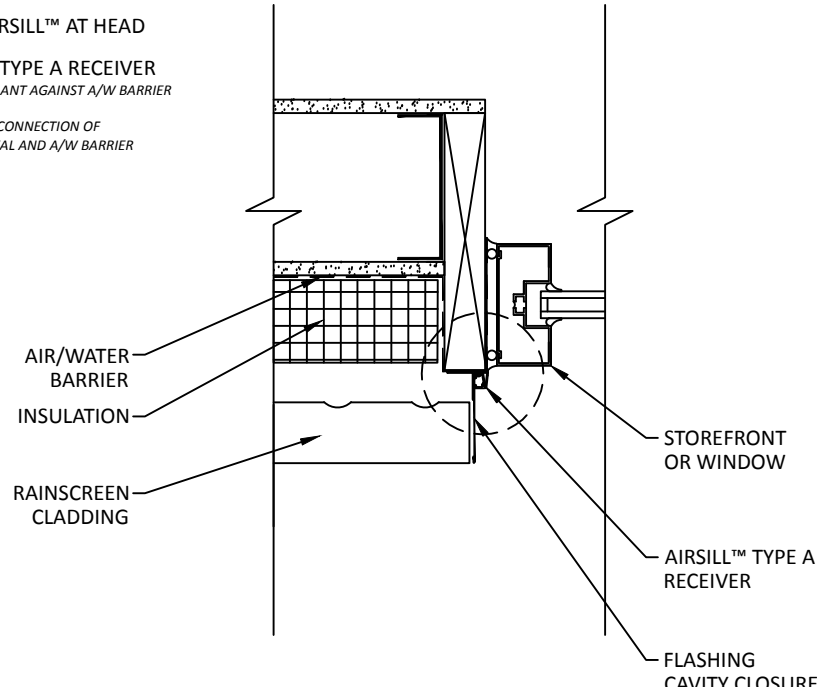
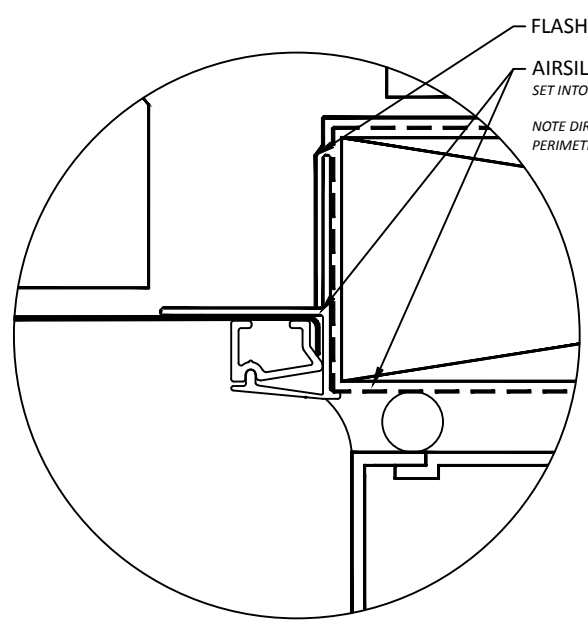
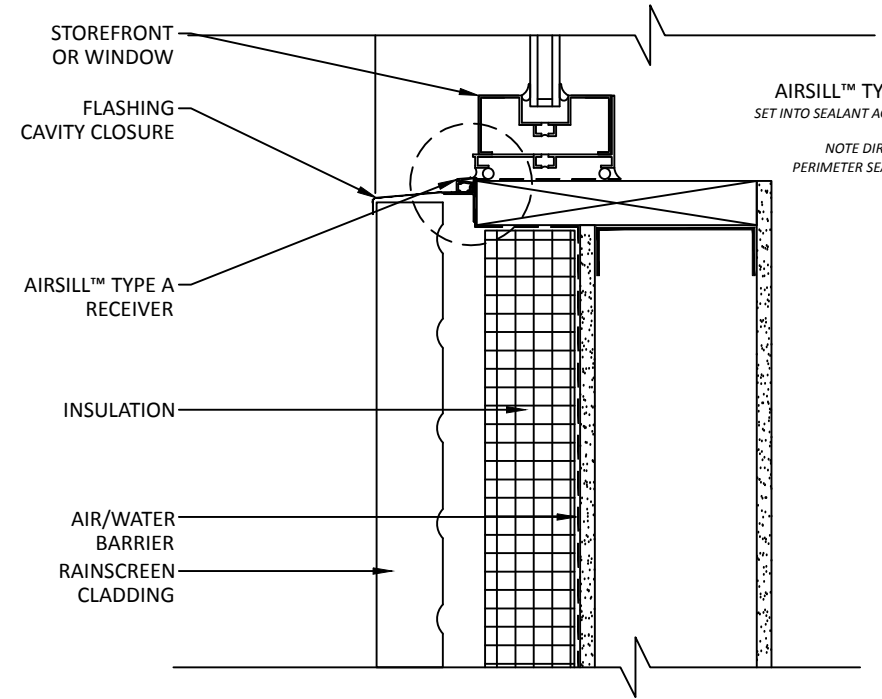
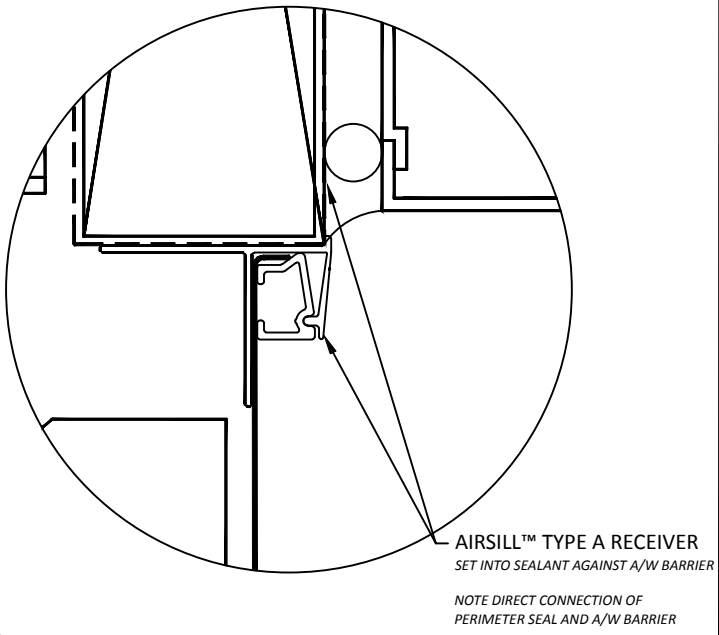


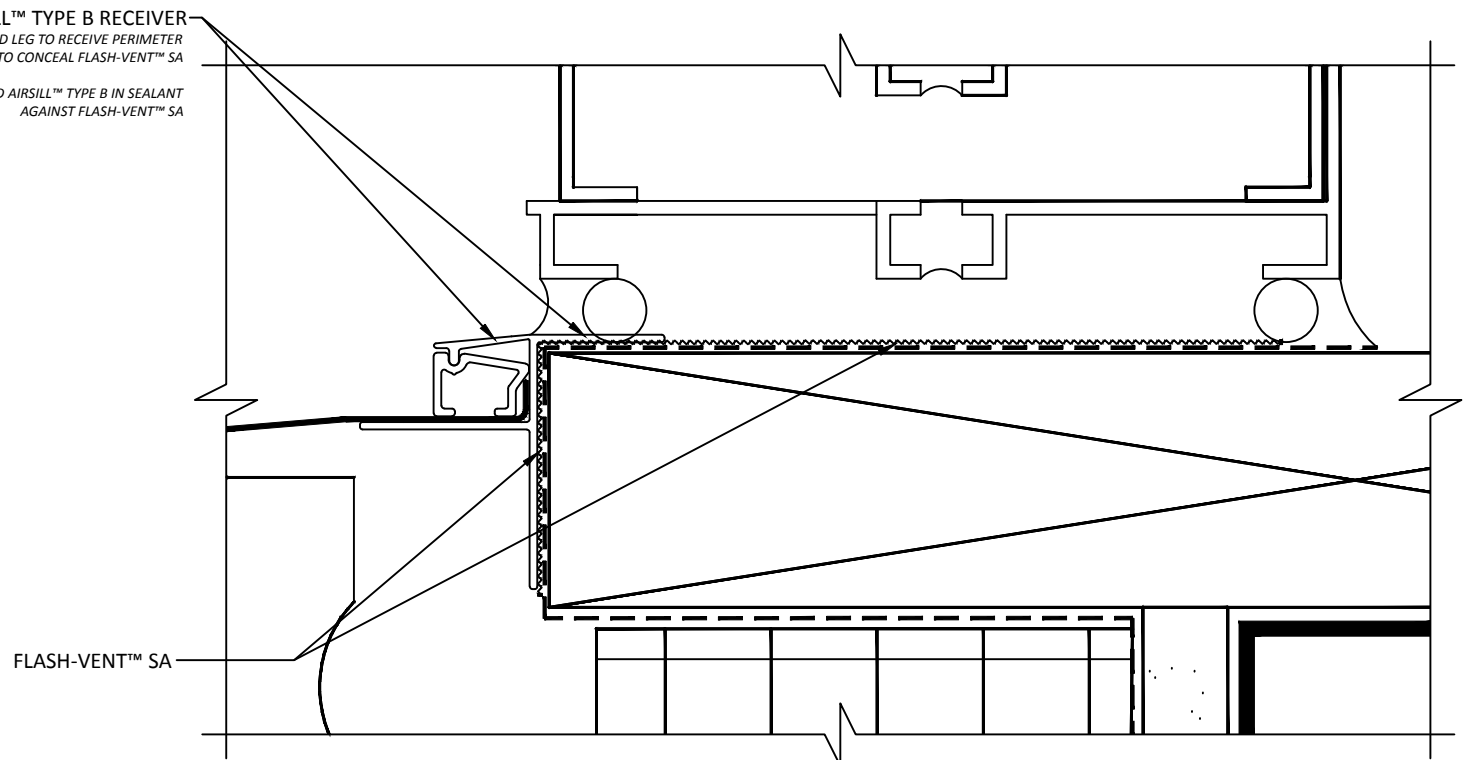
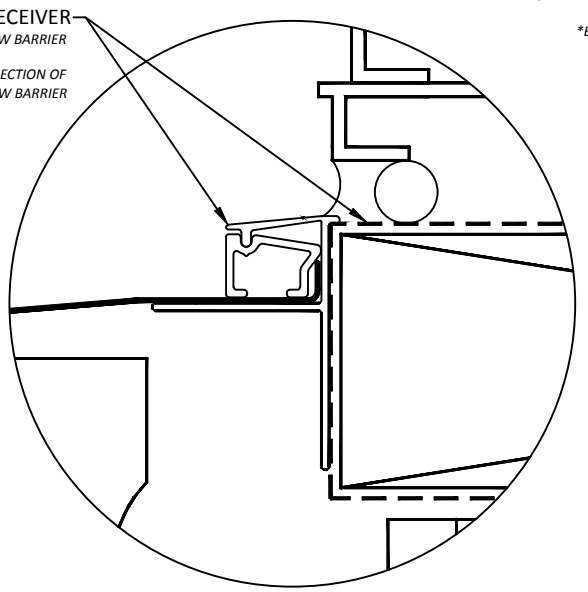
**HEAD CONDITION**



**JAMB CONDITION**



**SILL CONDITION**



**ALTERNATE SILL OPTION - INCORPORATES YORK FLASH-VENT™**

**NOTE:** REFERENCE THE FOLLOWING SHEETS FOR ADDITIONAL INFORMATION:

- AIRSILL™ TYPE A ELEVATIONS - STOREFRONT
- AIRSILL™ TYPE A INSTALLATION SEQUENCE (SILL)
- AIRSILL™ TYPE A INSTALLATION SEQUENCE (PERIMETER)

AS A MANUFACTURER OF CONSTRUCTION MATERIALS, YORK MANUFACTURING, DOES NOT ASSUME RESPONSIBILITY FOR ERRORS IN DESIGN OR ENGINEERING. ARCHITECT OR OWNERS REPRESENTATIVE MUST VERIFY SUITABILITY OF DETAILS.

<b>RAINSCREEN OPTION B</b>	<b>AirSill™</b> Flashing Receiver
----------------------------	-----------------------------------