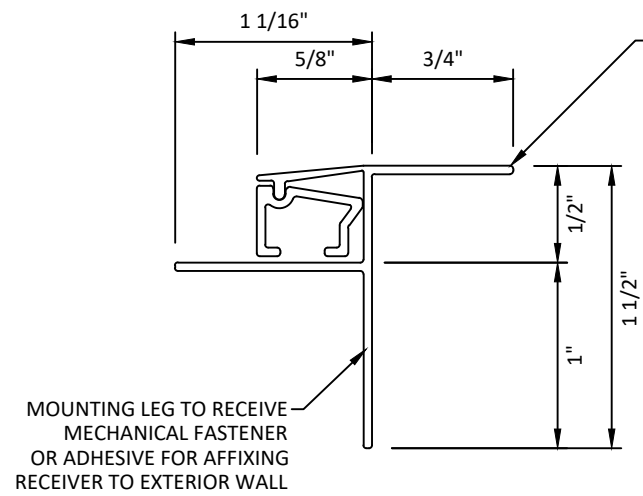


AIRSILL™ TYPE A

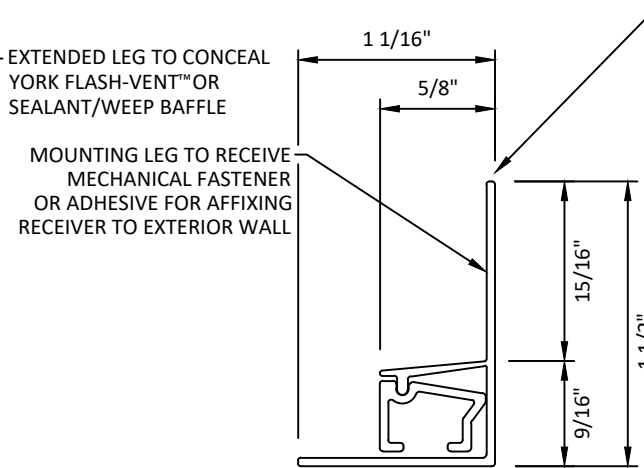
*THE AIR/WATER BARRIER CONCEALING LEG FACILITATES DIRECT CONNECTION OF FENESTRATION PERIMETER SEAL AND THE AIR/WATER BARRIER.

*RECOMMENDED FOR SILL, JAMB AND HEAD FENESTRATION OPENING CONDITIONS.



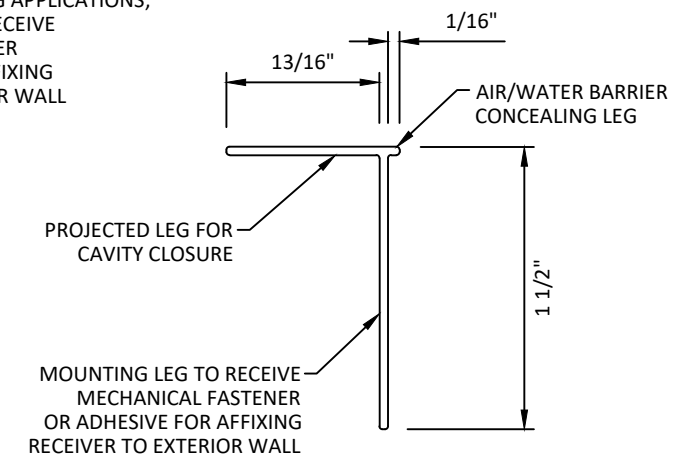
AIRSILL™ TYPE B

*AIRSILL™ TYPE B IS AN OPTIONAL RECEIVER SHAPE FOR SILL CONDITIONS IN LIEU OF AIRSILL™ TYPE A THAT FACILITATES THE USE OF YORK FLASH-VENT™ OR SEALANT BED WITH WEEP BAFFLES TO ACCOMMODATE MOISTURE DRAINAGE OUT OF THE FENESTRATION OPENING; THE EXTENDED LEG ALSO SERVES TO RECEIVE THE FENESTRATION PERIMETER SEAL.



AIRSILL™ TYPE C

*AIRSILL™ TYPE C IS IDEAL FOR COLLAR FLASHING APPLICATIONS AT EXTERIOR WALL FENESTRATION OPENINGS. RECEIVER FACILITATES CONTINUOUS BRAKE METAL CORNERS.



AIRSILL™ TYPE D

*AIRSILL™ TYPE D IS IDEAL FOR A CAVITY CLOSURE BETWEEN CLADDING AND BACK-UP WALL THAT FACILITATES DIRECT CONNECTION OF FENESTRATION PERIMETER SEAL AND THE AIR/WATER BARRIER.

*RECOMMENDED FOR SILL, JAMB AND HEAD FENESTRATION OPENING CONDITIONS.