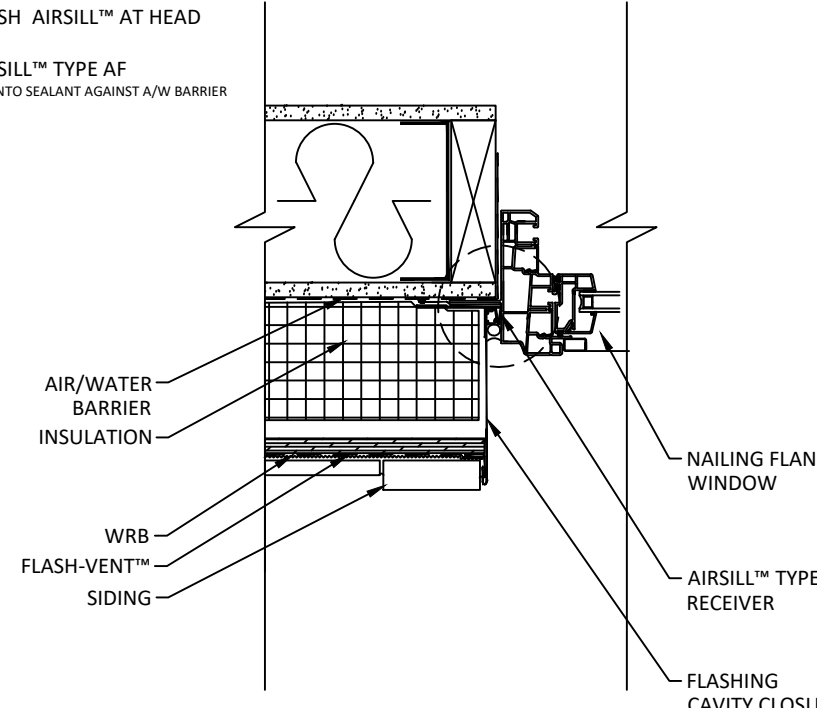
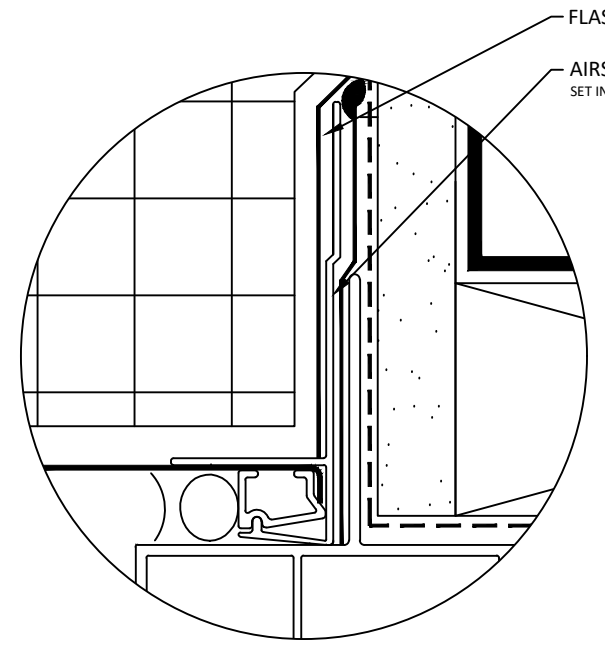
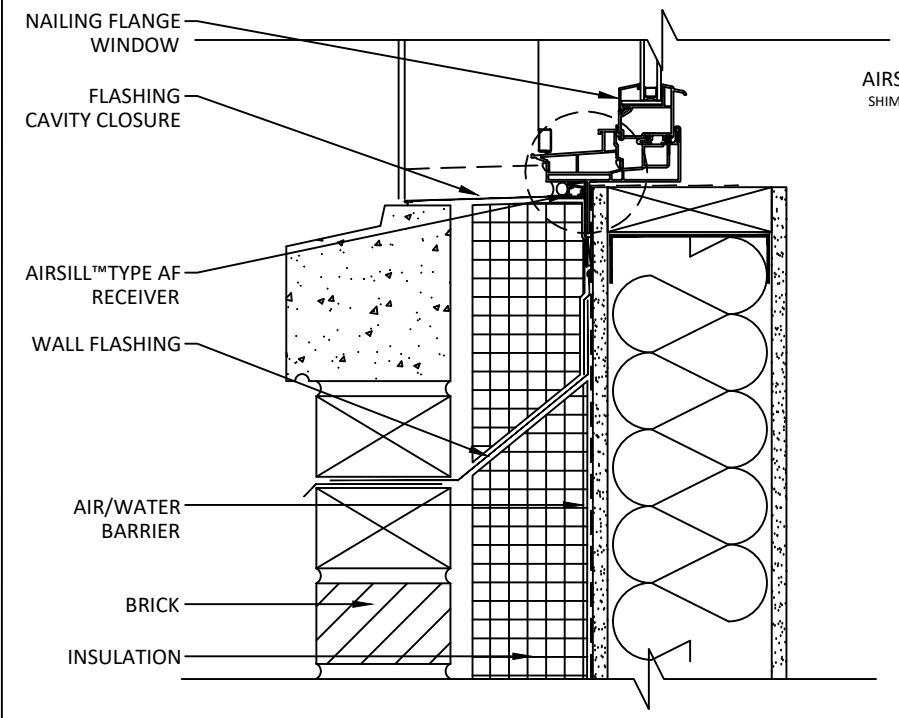
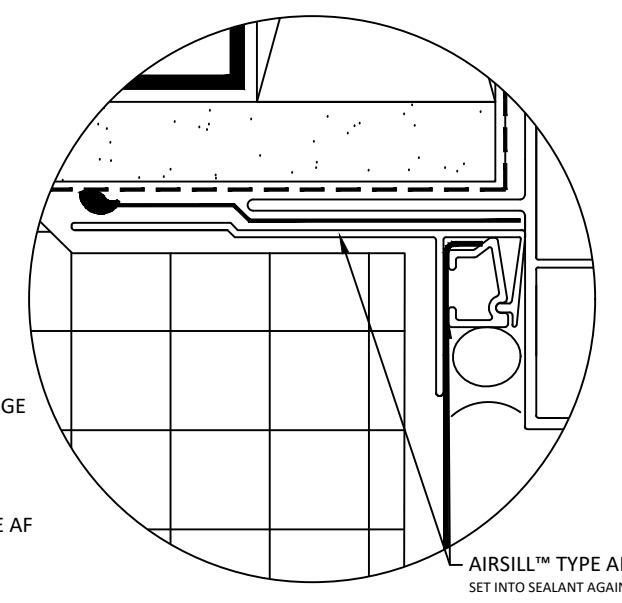


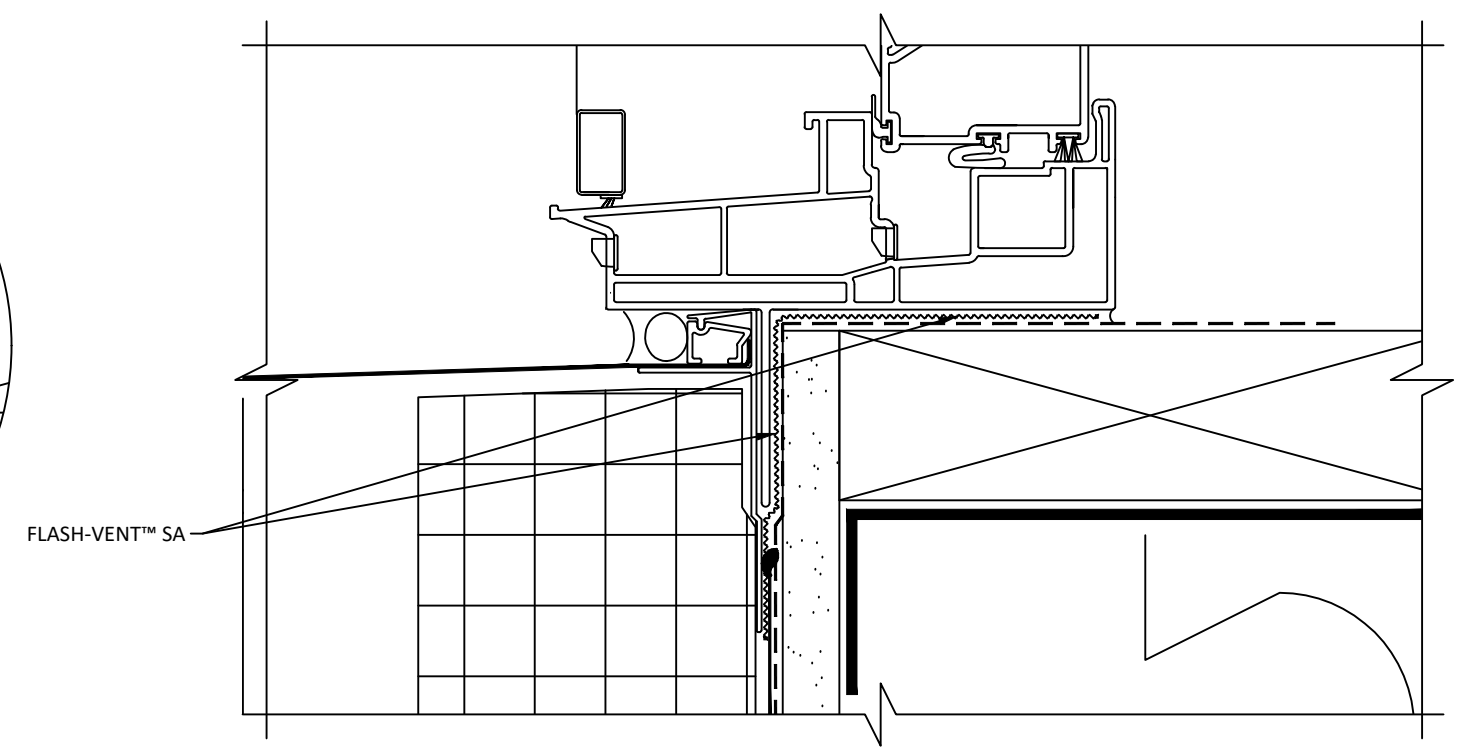
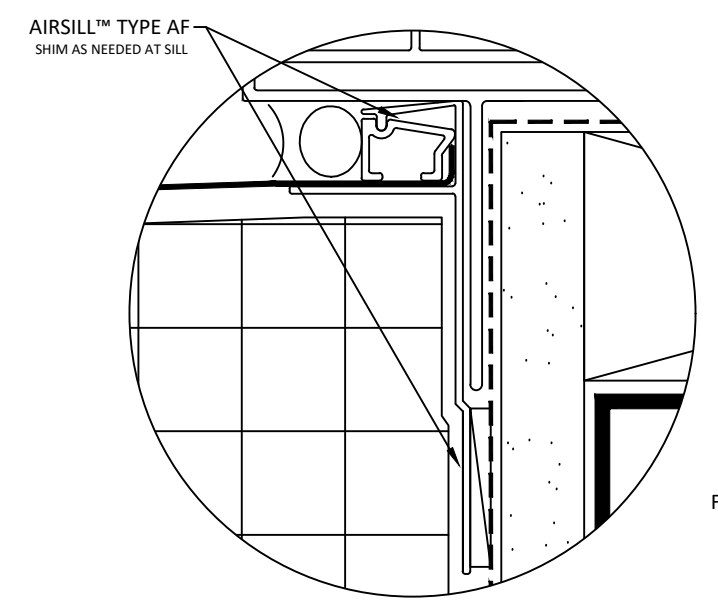
HEAD CONDITION



JAMB CONDITION



SILL CONDITION



ALTERNATE SILL OPTIONS - INCORPORATES YORK FLASH-VENT™

NOTE: REFERENCE THE FOLLOWING SHEETS FOR ADDITIONAL INFORMATION:

- AIRSILL™ TYPE A ELEVATIONS - STOREFRONT
- AIRSILL™ TYPE A INSTALLATION SEQUENCE (SILL)
- AIRSILL™ TYPE A INSTALLATION SEQUENCE (PERIMETER)

AS A MANUFACTURER OF CONSTRUCTION MATERIALS, YORK MANUFACTURING, DOES NOT ASSUME RESPONSIBILITY FOR ERRORS IN DESIGN OR ENGINEERING. ARCHITECT OR OWNERS REPRESENTATIVE MUST VERIFY SUITABILITY OF DETAILS.